



TerraTek
Field Services

***Our unique Lattimer Machine
pipe stands are used extensively
in the natural gas, oil and many
other industries.***

W series Bracket Support System

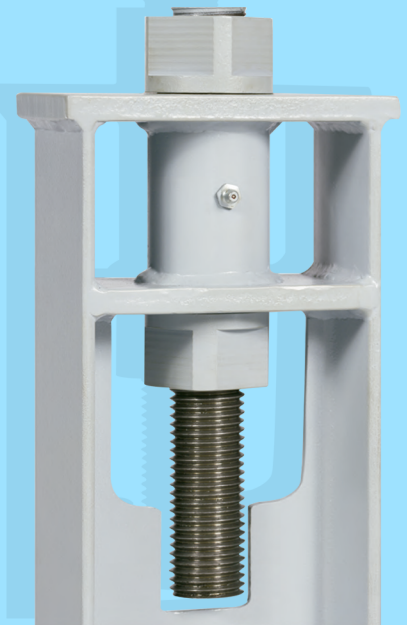
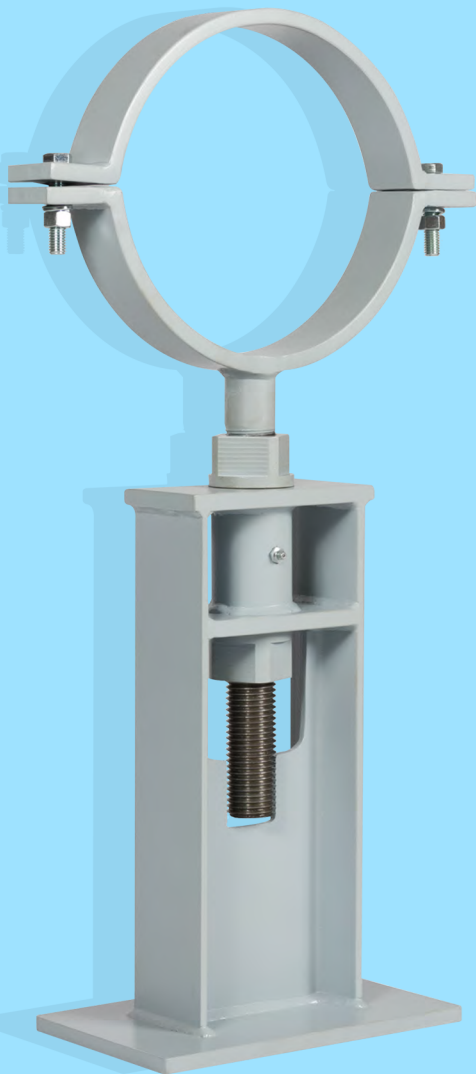
Patent NO. US 9605773

TerraTek Support Systems (TSS)® is an adjustable pipe support system designed for the oil and natural gas industry.

Our TSS W Series Bracket System features an "H" style support column. Our proprietary dual Lattimer adjusting bushing assembly provides for hassle-free adjustment, lateral stability and wide range of vertical adjustment.

TSS is also available for traditional mounting on Steel and concrete.

- *TSS is available for pipe sizes from 2" to 48".*
- *Available heads include flange, saddle, full cradle clamp and flange cradle along with custom plate mounts.*
- *TSS is available in primed and painted or optional galvanized finish.*
- *Various mounting heights available.*



1/2" Steel Mounting Plate **2" - 4" Pipe**

TSS_W___CCP	Closed Clamp	Specify Pipe Size
TSS_W___SP	Saddle Support	Specify Pipe Size
TSS_W___FP	Flange Plate	Specify Pipe Size
TSS_W___FCP	Flange Cradle	Specify Pipe Size

1/2" Steel Mounting Plate **6" - 10" Pipe**

TSS_W___CCP	Closed Clamp	Specify Pipe Size
TSS_W___SP	Saddle Support	Specify Pipe Size
TSS_W___FP	Flange Plate	Specify Pipe Size
TSS_W___FCP	Flange Cradle	Specify Pipe Size

1/2" Steel Mounting Plate **12" Pipe**

TSS_W12CCP	Closed Clamp
TSS_W12SP	Saddle
TSS_W12FP	Flange Plate
TSS_W12FCP	Flange Cradle

1/2" Steel Mounting Plate **14" - 16" Pipe**

TSS_W___CCP	Closed Clamp	Specify Pipe Size
TSS_W___SP	Saddle	Specify Pipe Size
TSS_W___FP	Flange Plate	Specify Pipe Size
TSS_W___FCP	Flange Cradle	Specify Pipe Size

1/2" Steel Mounting Plate **18" - 20" Pipe**

TSS_W___CCP	Closed Clamp	Specify Pipe Size
TSS_W___SP	Saddle	Specify Pipe Size
TSS_W___FP	Flange Plate	Specify Pipe Size
TSS_W___FCP	Flange Cradle	Specify Pipe Size

1/2" Steel Mounting Plate **24" Pipe**

TSS___W24CCP	Closed Clamp
TSS___W24SP	Saddle
TSS___W24FP	Flange Plate
TSS___W24FCP	Flange Cradle

1/2" Steel Mounting Plate **30" Pipe**

TSS___W30CCP	Closed Clamp
TSS___W30SP	Saddle
TSS___W30FP	Flange Plate
TSS___W30FCP	Flange Cradle

1/2" Steel Mounting Plate **36" Pipe**

TSS___W36CCP	Closed Clamp
TSS___W36SP	Saddle
TSS___W36FP	Flange Plate
TSS___W36FCP	Flange Cradle

1/2" Steel Mounting Plate **42" Pipe**

TSS___W42CCP	Closed Clamp
TSS___W42SP	Saddle
TSS___W42FP	Flange Plate
TSS___W42FCP	Flange Cradle

1/2" Steel Mounting Plate **48" Pipe**

TSS___W48CCP	Closed Clamp
TSS___W48SP	Saddle
TSS___W48FP	Flange Plate
TSS___W48FCP	Flange Cradle

(D) Measurement must be specified.
Freight FOB destination delivery estimate upon
acceptance of order.

W-BEAM POLY-BLOCK™ SERIES

- Fits pipe sizes from 2" to 36".
- Steel design, beam-mount pipe clamp.
- Pipe support blocks of hi-density & compressio, non-conductive, non-corrosive polyurethane.
- High temperature application available.
- Cryogenic Temperature of -125° F.
- Steel-Round with FRP Optional.

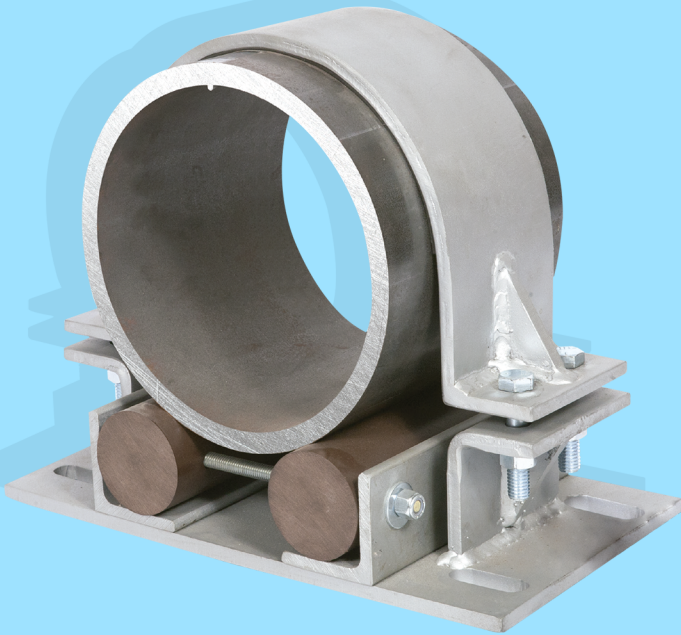


TSS-8WUPBS shown

POLY-BLOCK™ SHOE CLAMP

- Fits pipe sizes from 2" to 48".
- Steel design, shoe-style pipe clamp.
- Designed for fiberglass reinforced plastic (FRP) wrap clearances and Fabreeka.
- Pipe support blocks of hi-density & compression, non-conductive, non-corrosive polyurethane.
- High temperature application available.
- Allows for vertical height adjustment.
- No additional lining needed.
- Minimal contact between pipe and polyurethane rod helps prevent surface corrosion.
- Excellent isolator for impressed current cathodic protection.
- Cryogenic Temperature of -125° F

Other configurations featuring our Poly-Block™ system are available.



W8X31 Beam 2" - 4" Pipe

TSS ___WUPBS W Beam U Bolt Poly-Block Specify Pipe Size
TSS ___WCPBS W Beam Clamp Poly-Block Specify Pipe Size

W8X31 Beam 6" Pipe

TSS ___6WUPBS W Beam U Bolt Poly-Block
TSS ___6WCPBS W Beam Clamp Poly-Block

W8X31 Beam 8" Pipe

TSS ___8WUPBS W Beam U Bolt Poly-Block
TSS ___8WCPBS W Beam Clamp Poly-Block

W8X31 Beam 10" Pipe

TSS ___10WUPBS W Beam U Bolt Poly-Block
TSS ___10WCPBS W Beam Clamp Poly-Block

W8X31 Beam 12" Pipe

TSS ___12WUPBS W Beam U Bolt Poly-Block
TSS ___12WCPBS W Beam Clamp Poly-Block

W8X31 Beam 14" Pipe

TSS ___14WUPBS W Beam U Bolt Poly-Block
TSS ___14WCPBS W Beam Clamp Poly-Block

W8X31 Beam 16" Pipe

TSS ___16WUPBS W Beam U Bolt Poly-Block
TSS ___16WCPBS W Beam Clamp Poly-Block

W8X31 Beam 18" - 20" Pipe

TSS ___WUPBS W Beam U Bolt Poly-Block Specify Pipe Size
TSS ___WCPBS W Beam Clamp Poly-Block Specify Pipe Size

W8X31 Beam 24" Pipe

TSS ___24WUPBS W Beam U Bolt Poly-Block
TSS ___24WCPBS W Beam Clamp Poly-Block

W8X31 Beam 30" Pipe

TSS ___30WUPBS W Beam U Bolt Poly-Block
TSS ___30WCPBS W Beam Clamp Poly-Block

W8X31 Beam 36" Pipe

TSS ___36WUPBS W Beam U Bolt Poly-Block
TSS ___36WCPBS W Beam Clamp Poly-Block

1/2" Steel Mounting Plate 2" - 4" Pipe

TSS ___PBS Poly-Block Shoe Specify Pipe Size

1/2" Steel Mounting Plate 6" Pipe

TSS ___6PBS Poly-Block Shoe

1/2" Steel Mounting Plate 8" Pipe

TSS ___8PBS Poly-Block Shoe

1/2" Steel Mounting Plate 10" Pipe

TSS ___10PBS Poly-Block Shoe

1/2" Steel Mounting Plate 12" Pipe

TSS ___12PBS Poly-Block Shoe

1/2" Steel Mounting Plate 14" Pipe

TSS ___14PBS Poly-Block Shoe

1/2" Steel Mounting Plate 16" Pipe

TSS ___16PBS Poly-Block Shoe

1/2" Steel Mounting Plate 18" Pipe

TSS ___18PBS Poly-Block Shoe

1/2" Steel Mounting Plate 20" Pipe

TSS ___20PBS Poly-Block Shoe

1/2" Steel Mounting Plate 24" Pipe

TSS ___24PBS Poly-Block Shoe

1/2" Steel Mounting Plate 30" Pipe

TSS ___30PBS Poly-Block Shoe

1/2" Steel Mounting Plate 36" Pipe

TSS ___36PBS Poly-Block Shoe

1/2" Steel Mounting Plate 42" Pipe

TSS ___42PBS Poly-Block Shoe

1/2" Steel Mounting Plate 48" Pipe

TSS ___48PBS Poly-Block Shoe

(D) Measurement must be specified.
Freight FOB destination delivery estimate upon
acceptance of order.

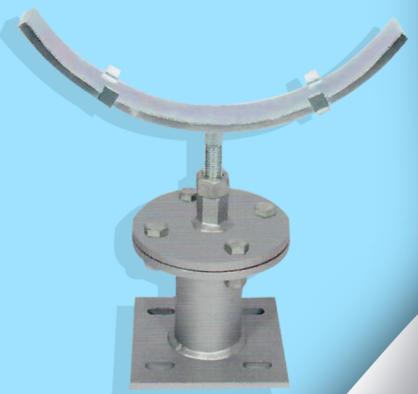
“P Series” Bracket Support System

TerraTek Support Systems (TSS)® “P Series” is an adjustable pipe support system designed for the oil and gas industry.

The TSS P Series was developed especially for use with helical piers providing the oil and gas industries an alternative to concrete installation.

The TSS P Series is also available for traditional mounting on Steel and concrete.

- TSS P Series is available for pipe sizes from 2” to 48”.
- Available heads include flange, saddle, full cradle clamp and flange cradle along with custom plate mounts.
- TSS P Series is available in primed and galvanized finish.
- Various mounting heights available.
- Full access adjusting system with up to 4” of adjustment.



1/2" Steel Mounting Plate **2" - 4" Pipe**

TSS___CCP	Closed Clamp	Specify Pipe Size
TSS___SP	Saddle Support	Specify Pipe Size
TSS___FP	Flange Plate	Specify Pipe Size
TSS___FCP	Flange Cradle	Specify Pipe Size
TSS___SPUB	Adj. Saddle Single U Bolt	Specify Pipe Size
TSS___SP2UB	Adj. Saddle Two U Bolt	Specify Pipe Size
TSS___FPUB	Flat Plate Single U Bolt	Specify Pipe Size
TSS___FP2UB	Flat Plate Two U Bolt	Specify Pipe Size

1/2" Steel Mounting Plate **6" - 10" Pipe**

TSS___CCP	Closed Clamp	Specify Pipe Size
TSS___SP	Saddle Support	Specify Pipe Size
TSS___FP	Flange Plate	Specify Pipe Size
TSS___FCP	Flange Cradle	Specify Pipe Size
TSS___SPUB	Adj. Saddle Single U Bolt	Specify Pipe Size
TSS___SP2UB	Adj. Saddle Two U Bolt	Specify Pipe Size
TSS___FPUB	Flat Plate Single U Bolt	Specify Pipe Size
TSS___FP2UB	Flat Plate Two U Bolt	Specify Pipe Size

1/2" Steel Mounting Plate **12" Pipe**

TSS___12CCP	Closed Clamp
TSS___12SP	Saddle Support
TSS___12FP	Flange Plate
TSS___12FCP	Flange Cradle
TSS___12SPUB	Adj. Saddle Single U Bolt
TSS___12SP2UB	Adj. Saddle Two U Bolt
TSS___12FPUB	Flat Plate Single U Bolt
TSS___12FP2UB	Flat Plate Two U Bolt

1/2" Steel Mounting Plate **14" - 16" Pipe**

TSS___CCP	Closed Clamp	Specify Pipe Size
TSS___SP	Saddle Support	Specify Pipe Size
TSS___FP	Flange Plate	Specify Pipe Size
TSS___FCP	Flange Cradle	Specify Pipe Size
TSS___SPUB	Adj. Saddle Single U Bolt	Specify Pipe Size
TSS___SP2UB	Adj. Saddle Two U Bolt	Specify Pipe Size
TSS___FPUB	Flat Plate Single U Bolt	Specify Pipe Size
TSS___FP2UB	Flat Plate Two U Bolt	Specify Pipe Size

1/2" Steel Mounting Plate **18" - 20" Pipe**

TSS___CCP	Closed Clamp	Specify Pipe Size
TSS___SP	Saddle Support	Specify Pipe Size
TSS___FP	Flange Plate	Specify Pipe Size
TSS___FCP	Flange Cradle	Specify Pipe Size
TSS___SPUB	Adj. Saddle Single U Bolt	Specify Pipe Size
TSS___SP2UB	Adj. Saddle Two U Bolt	Specify Pipe Size
TSS___FPUB	Flat Plate Single U Bolt	Specify Pipe Size
TSS___FP2UB	Flat Plate Two U Bolt	Specify Pipe Size

1/2" Steel Mounting Plate **24" Pipe**

TSS___24CCP	Closed Clamp
TSS___24SP	Saddle Support
TSS___24FP	Flange Plate
TSS___24FCP	Flange Cradle
TSS___24SPUB	Adj. Saddle Single U Bolt
TSS___24SP2UB	Adj. Saddle Two U Bolt
TSS___24FPUB	Flat Plate Single U Bolt
TSS___24FP2UB	Flat Plate Two U Bolt

5/8" Steel Mounting Plate **30" Pipe**

TSS___30CCP	Closed Clamp
TSS___30SP	Saddle Support
TSS___30FP	Flange Plate
TSS___30FCP	Flange Cradle
TSS___30SPUB	Adj. Saddle Single U Bolt
TSS___30SP2UB	Adj. Saddle Two U Bolt
TSS___30FPUB	Flat Plate Single U Bolt
TSS___30FP2UB	Flat Plate Two U Bolt

5/8" Steel Mounting Plate **36" Pipe**

TSS___36CCP	Closed Clamp
TSS___36SP	Saddle Support
TSS___36FP	Flange Plate
TSS___36FCP	Flange Cradle
TSS___36SPUB	Adj. Saddle Single U Bolt
TSS___36SP2UB	Adj. Saddle Two U Bolt
TSS___36FPUB	Flat Plate Single U Bolt
TSS___36FP2UB	Flat Plate Two U Bolt

Helical Pier 2 7/8" **2" - 10" Pipe**

TSS___CC	Closed Clamp	Specify Pipe Size
TSS___F	Flange Plate	Specify Pipe Size
TSS___S	Saddle Support	Specify Pipe Size
TSS___FC	Flange Cradle	Specify Pipe Size

Helical Pier 2 7/8" **12" Pipe**

TSS___12S	Saddle
TSS___12CC	Closed Clamp
TSS___12F	Flange Plate
TSS___12FC	Flange Cradle

(D) Measurement must be specified.
 Freight FOB destination delivery estimate upon acceptance of order.



Our engineering team will assist you to conceptualize and develop your metal projects.

Contact Us!
(570) 454 - 7162